

LED DIRECT

OFFICE LIGHTING

**Guardian
TRLED**

TRACK LINEAR LIGHTS



Guardian TRLED

TRACK LINEAR LIGHTS

Our track lighting is available in two colour options with various light outputs.

Ideal in retail or commercial environments.



STANDARD FEATURES

Quick installation
 Powder coated white, black finish
 Light distribution: 60°, 90° and double asymmetric
 3 circuit track
 High performance
 5 Year warranty

OPTIONS

Colour temperature options (kelvin)
 Dimming options
 DALI addressable

COMPLIANCE / APPROVALS

Input voltage 220-240 / 50Hz
 AS60598
 EMC (CISPR15)
 C tick



www.leddirectsolutions.com.au | 0438 78 78 78 | sales@leddirectsolutions.com.au

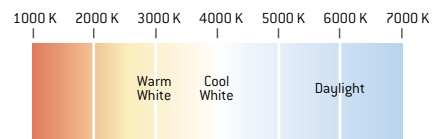
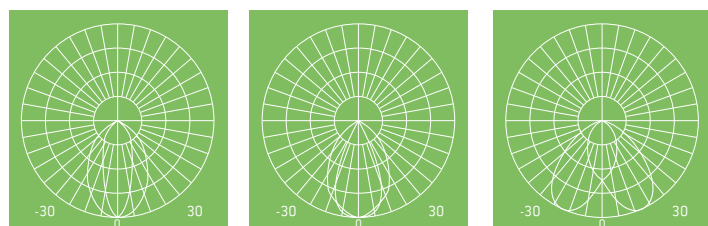
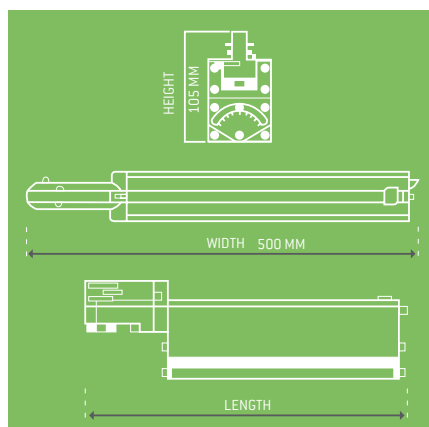
Disclaimer:

All LED Direct products must be installed by a qualified electrician in accordance with that countries current laws and health and safety legislation. It is the responsibility of the contractor, installer, owner, purchaser, and user to ensure the equipment is installed, maintained and operated in such a manner as to satisfy that countries current regulations and legislation.

Guardian TRLED

TRACK LINEAR LIGHTS

Part No	Power consumption (Watts)	Colour	CCT	CRI	Lumen Flux	Lifetime L70b50	Size Length x width x height (mm)
TRLED30BK30-370	30w	Black	3000k	>90	2970lm	50,000h	370mm x 60mm x 105mm
TRLED30BK40-370	30w	Black	4000k	>90	3240lm	50,000h	370mm x 60mm x 105mm
TRLED30WH30-370	30w	White	3000k	>90	2970lm	50,000h	370mm x 60mm x 105mm
TRLED30WH40-370	30w	White	4000k	>90	3240lm	50,000h	370mm x 60mm x 105mm
TRLED60BK30-500	60w	Black	3000k	>90	6050lm	50,000h	500mm x 60mm x 105mm
TRLED60BK40-500	60w	Black	4000k	>90	6600lm	50,000h	500mm x 60mm x 105mm
TRLED60WH30-500	60w	White	3000k	>90	6050lm	50,000h	500mm x 60mm x 105mm
TRLED60WH40-500	60w	White	4000k	>90	6600lm	50,000h	500mm x 60mm x 105mm



www.leddirectsolutions.com.au | 0438 78 78 78 | sales@leddirectsolutions.com.au

Disclaimer:

All LED Direct products must be installed by a qualified electrician in accordance with that countries current laws and health and safety legislation. It is the responsibility of the contractor, installer, owner, purchaser, and user to ensure the equipment is installed, maintained and operated in such a manner as to satisfy that countries current regulations and legislation.